



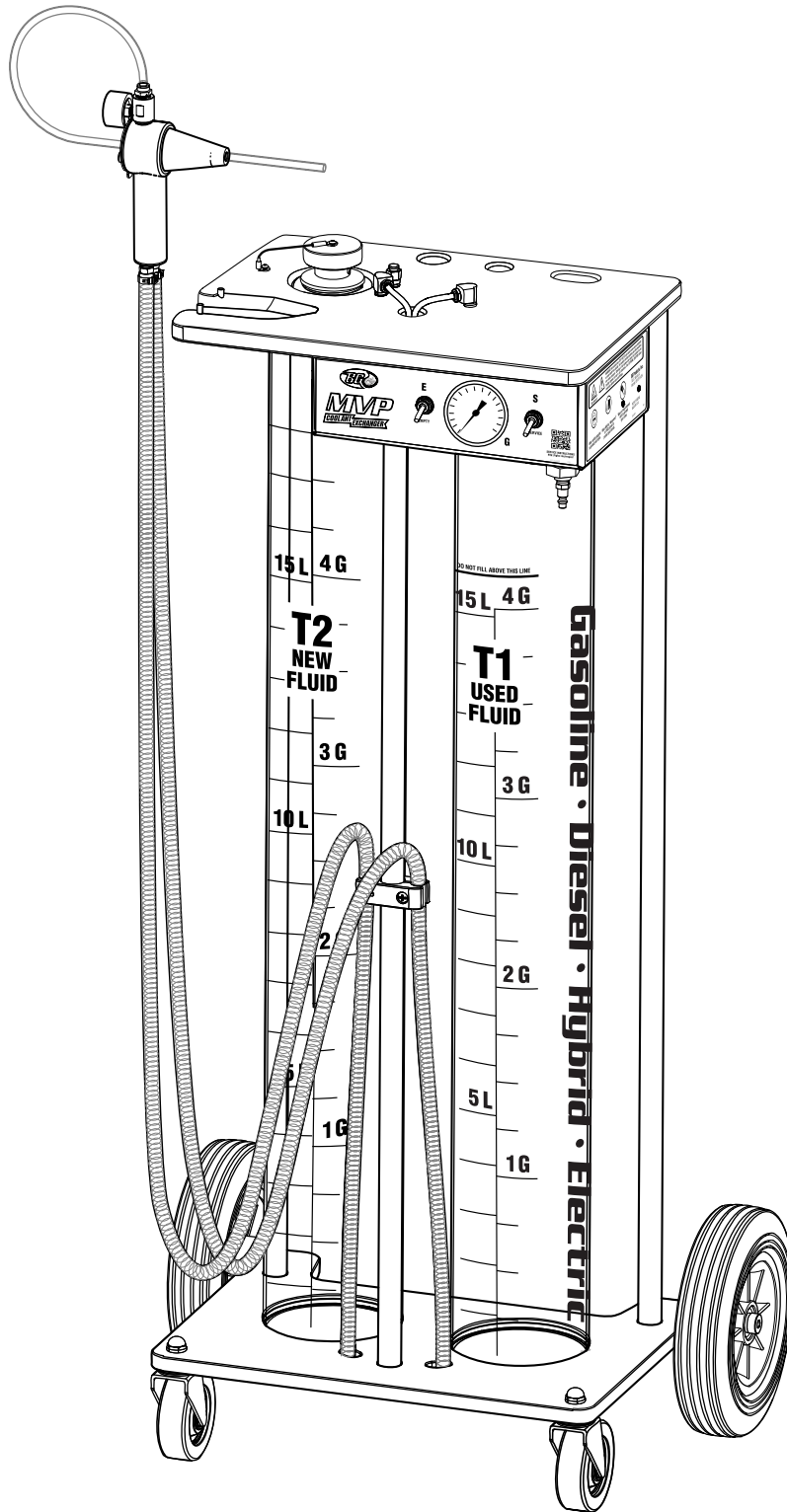
Equipment Guide

For
MVP 2-Tube Coolant Exchanger, PN E101-2378



MVP 2-Tube Coolant Exchanger

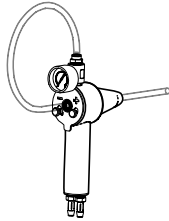
PN E101-2378



MVP 2-Tube Coolant Exchanger

PN E101-2378

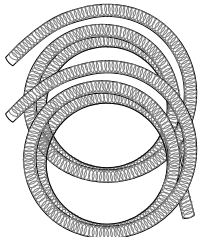
REPLACEMENT PARTS



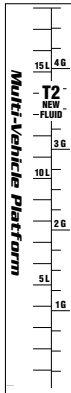
E101-2388
MVP dispenser head



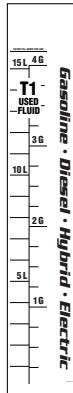
E101-2643
Oetiker clamp,
14.5mm to 17mm



E100-3332
96 inches 3/8"
clear vinyl spring hose



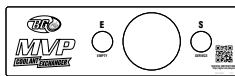
SCLB-EN10
Graduated label
for MVP T2



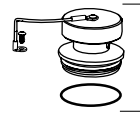
SCLB-EN09
Graduated label
for MVP T1



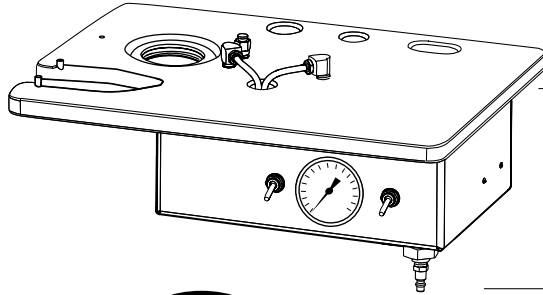
SCLB-EN11
Safety label for MVP machine



SCLB-EN08
Label for MVP gauge panel



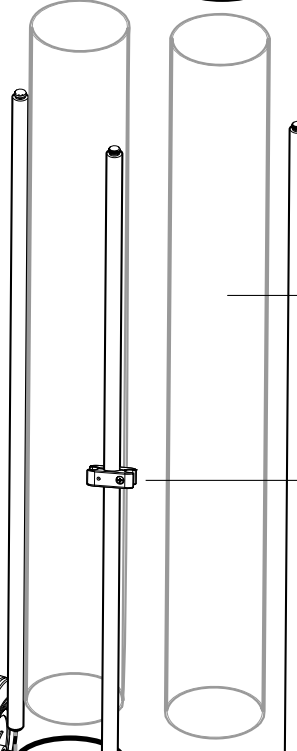
E101-2456
32 fill cap assembly



E101-2459
Coolant gauge
panel assembly



E101-2364
O-ring, Buna, -361
(5.975 ID x 0.210)

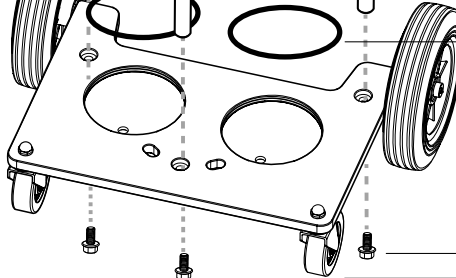


E101-2382
coolant support bar

E101-2318
5.75 ID x 47.5
fiberglass tube

E101-2417
Double 3/8" hose
clamp x 1" rod mount

E101-2685
1/4 - 20 x pan
head screw



E101-2364
O-ring, Buna, -361
(5.975 ID x 0.210)

E101-2461
2-tube coolant
bottom assembly

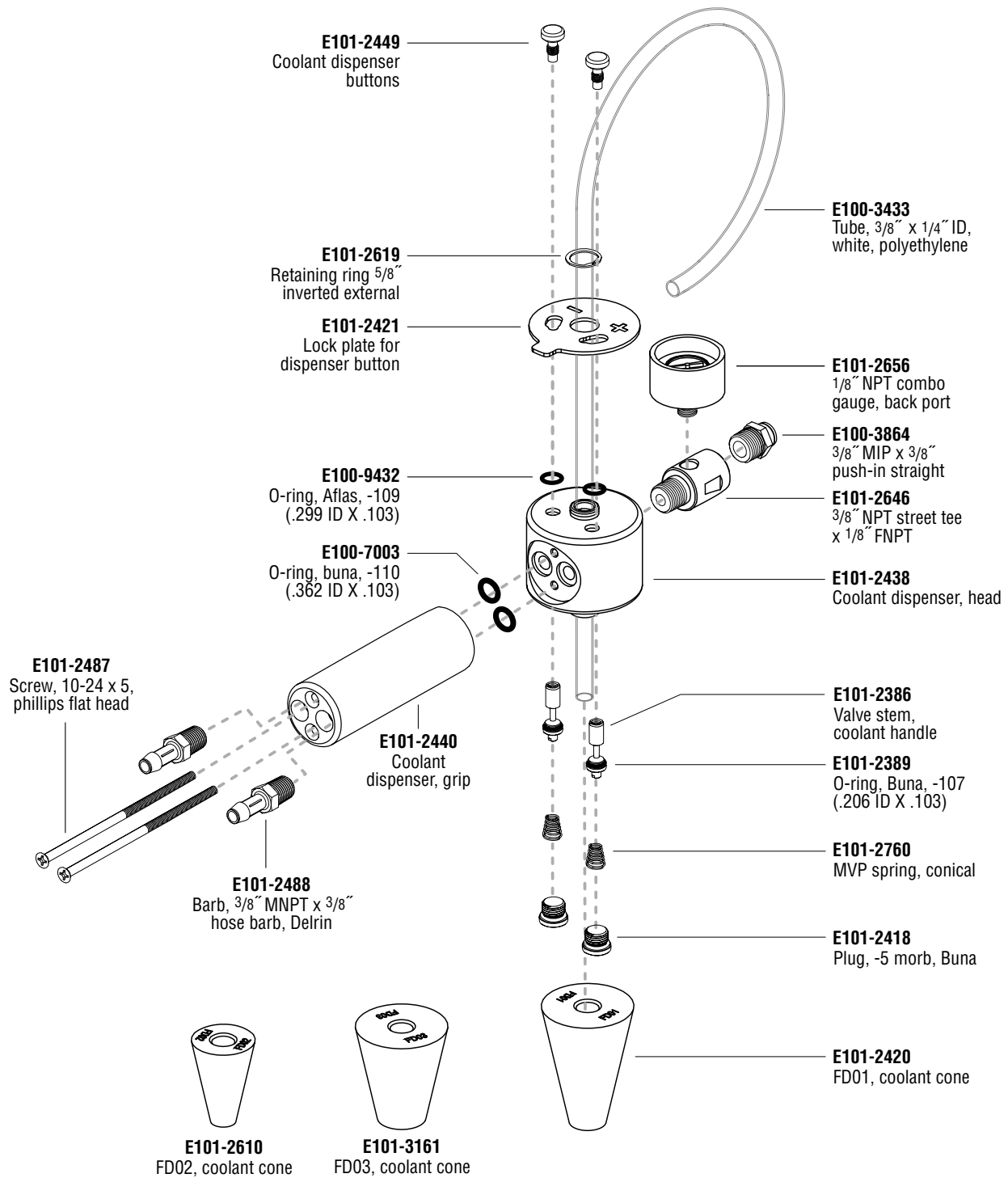
E101-2590
1/2-13 x 1"
flanged hex bolt



MVP Dispenser Head

PN E101-2388

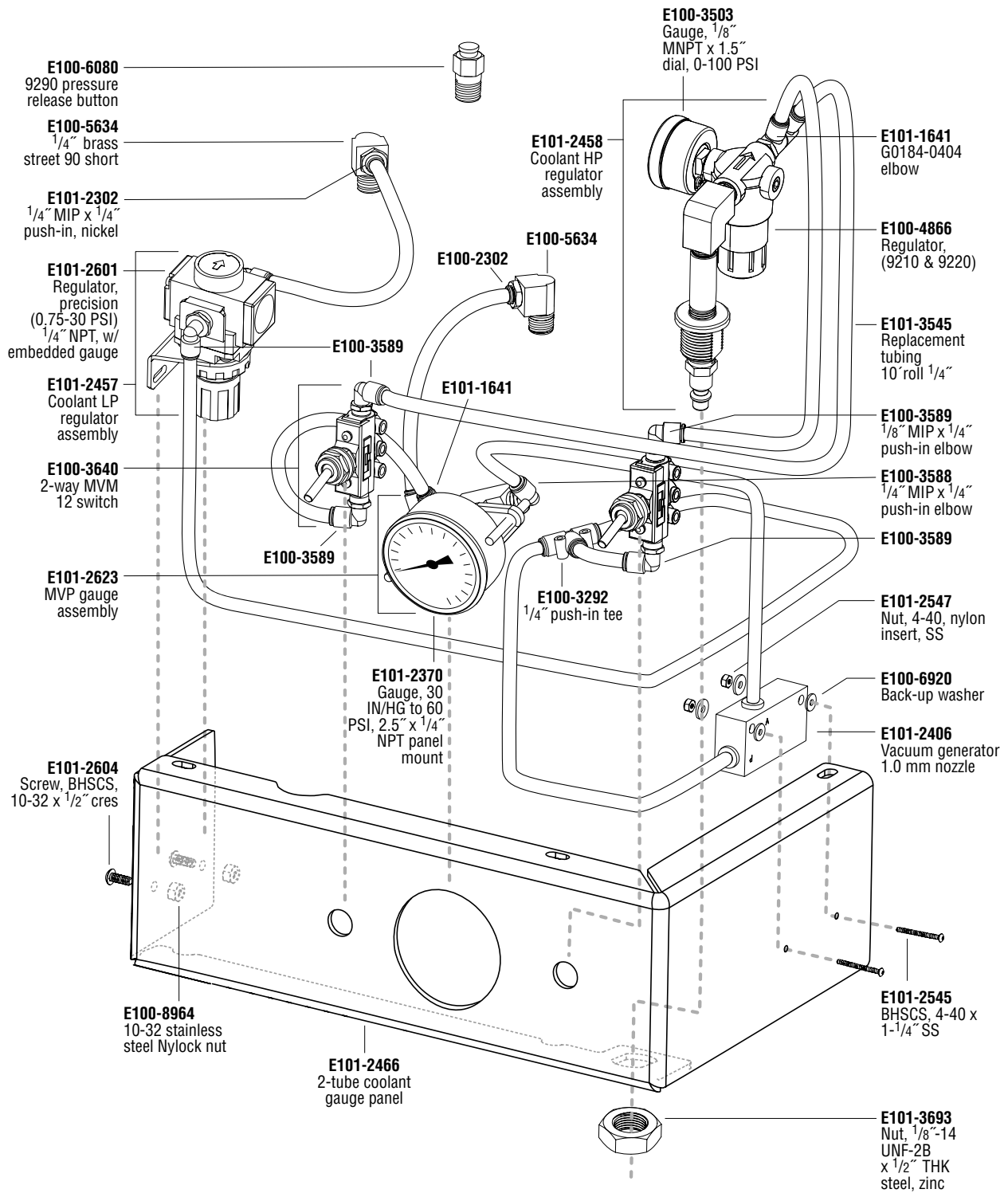
REPLACEMENT PARTS



MVP 2-Tube Coolant Gauge Panel Assembly

PN E101-2459

PLUMBING



MVP Coolant Exchanger

PN E101-2378

INSTRUCTIONS



Scan this code or visit
<http://bgfor.me/mvpref>
to access service instructions.
This code can also be found
on the serial plate.

